

The T77 insulated security shutter is suitable for domestic and commercial applications up to 16m². A wide choice of colour options are available as standard, with powder coating available on request. Note: the T77 can be upgraded to a remote controlled garage door and / or to insurance-approved, LPCB certified and 'Secured by Design' status (see Classic Garage Door, Elite Garage Door and T77 Elite Datasheets).



APPLICATIONS

Medium security domestic & commercial sites, up to 16m². The T77 can be upgraded to a 'Secured by Design' status - LPS 1175 SR1 (see Datasheet 9 'T77 Elite'). A wide range of colours are available, including wood grain finishes to match standard window and door frames.

CURTAIN SLAT

Double-skinned polyester powder coated aluminium slat with polyurethane foam insulating core.

Finish: White, Silver, Grey, Cream White, Beige, Ivory, Duck Egg Blue, Blue, Red, Chartwell Green, Sage Green (extended lead time applies), Fir Green, Moss Green, Anthracite, Brown, Velvet Brown, Black, Graphite, Painted Golden Oak, Painted Irish Oak, Painted Mahogany or Painted Rosewood as standard. Powder coating and wood laminate finishes available on request (surcharge applies).

Visible Face:	77mm
Weight per m ² :	5.5kg
Maximum Width:	5000mm
Maximum Area:	16m ²
Slat U-Value:	1.5W/m ² K

ENCLOSURE

Roll-formed aluminium box with pressure-moulded aluminium alloy end plates.

Finish: White or Brown as standard. Option to powder coat any RAL / BS colour (surcharge applies).

Guide Height (mm)	Plate Size (mm)
1750	250
2700	300
4640	360

Plate sizes shown as a guide only and may vary.

BOTTOM SLAT

Extruded aluminium bottom slat with rubber weather seal.

GUIDE CHANNELS

Extruded aluminium guide channels with brush inserts. Width of 70mm, 90mm or 150mm.

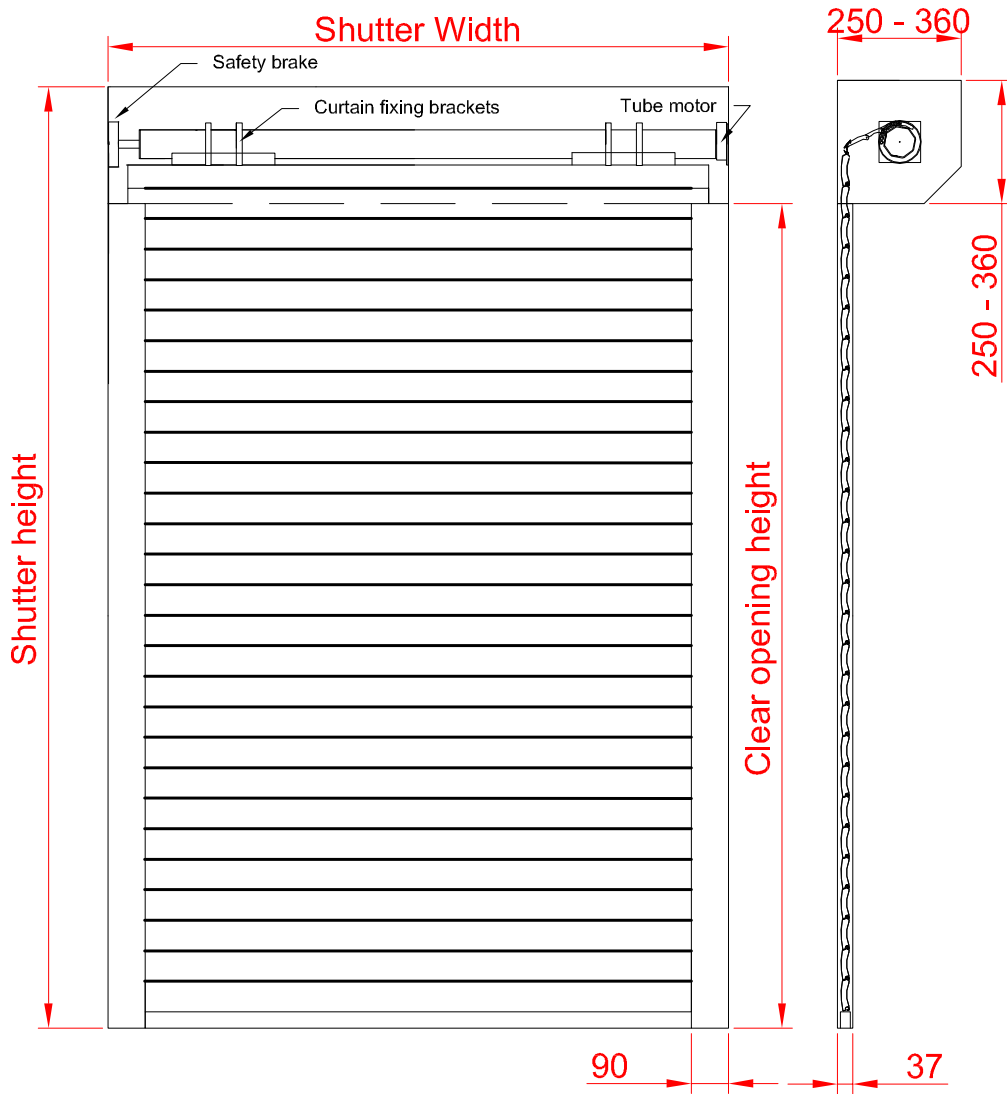
Finish: White or Brown as standard. Option to powder coat any RAL / BS colour (surcharge applies).

OPERATION

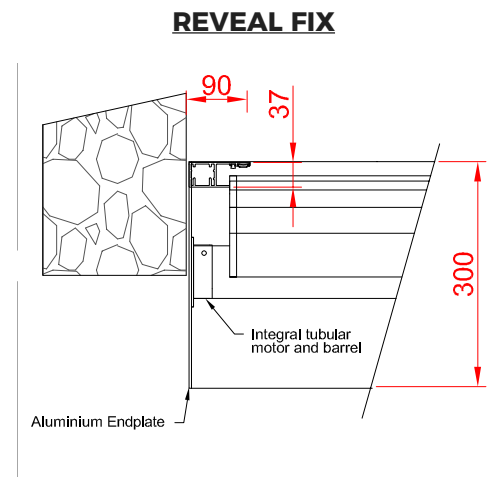
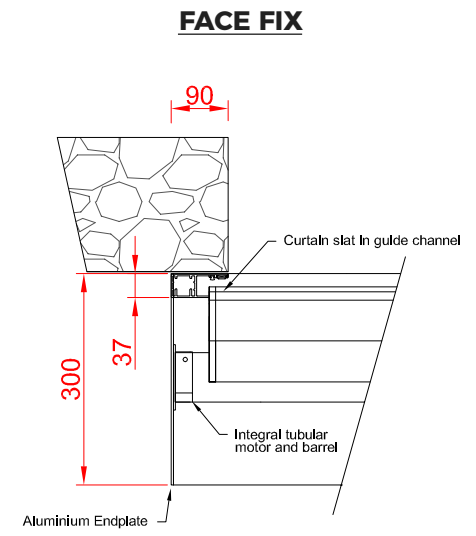
Electric: Tubular motor & internal rocker or external key switch as standard. Safety brake as appropriate to comply with legislation. Manual override facility & crank handle as required (surcharge applies). Numerous control option variants such as group, remote or mobile phone activation.

Note: Manual spring & lock operation is available but not common for the T77 profiles as the shutter tends to be used to cover larger openings.

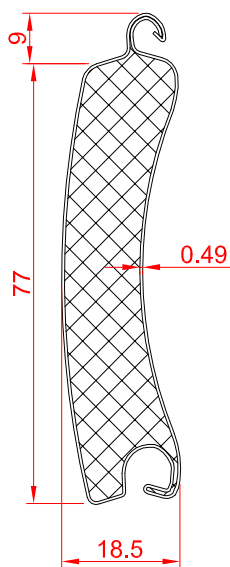
FRONT FACE



FIXING DETAIL



SLAT PROFILE



GUIDE CHANNELS

